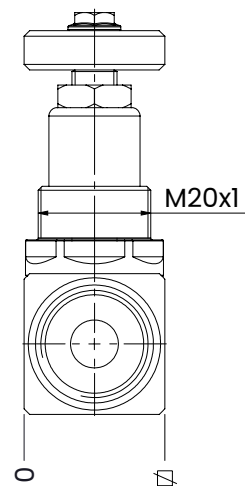
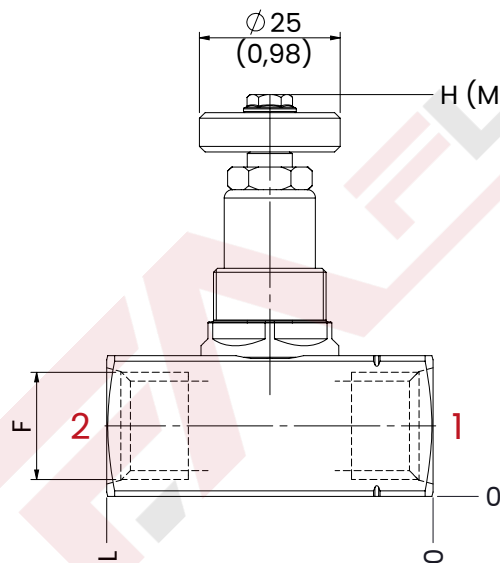
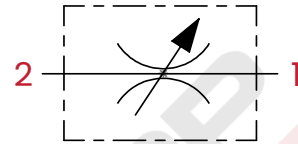


## BIDIRECTIONAL FLOW CONTROL VALVES

The bidirectional flow control valves SBD regulate the speed of an actuator in both directions.

### HYDRAULIC CIRCUIT



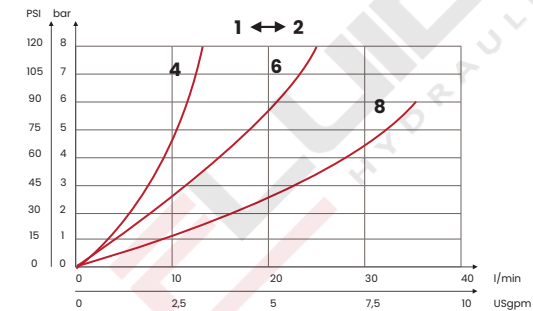
mm [Inches]

### TECHNICAL CHARACTERISTICS

mm [Inches]

F	L	H	$\varnothing$
SAE 4 [7/16-20 UNF]	54 [2,13]	72 [2,83]	25 [0,98]
SAE 6 [9/16-18 UNF]			
SAE 8 [3/4-16 UNF]	58 [2,28]		
Steel body			

### PERFORMANCES



### ORDERING CODE

CODE	TYPE	F ports	MAX FLOW l/min [USgpm]	MAX PRESSURE bar [PSI]	WEIGHT kg [lb]
<b>FA4153</b>	<b>SBD0SYA</b>	SAE 4 [7/16-20 UNF]	15 [4]	400 [5800]	0,30 [0,66]
<b>FA4144</b>	<b>SBD1S</b>	SAE 6 [9/16-18 UNF]	25 [6,6]		0,28 [0,61]
<b>FA4145</b>	<b>SBD2S</b>	SAE 8 [3/4-16 UNF]	35 [9,3]		0,45 [0,1]

UPDATE: Nov. 2023 (v.05)