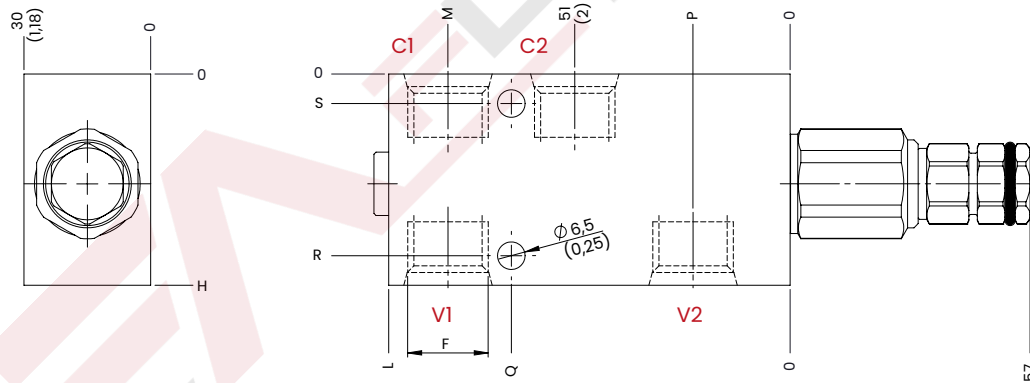
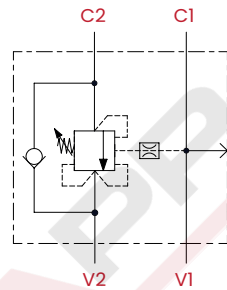


SINGLE COUNTERBALANCE VALVES FOR CLOSED CENTER

BSC counterbalance valves are used to keep a load locked, the built-in relief valve protects the system from over-pressure in the cylinder by draining the oil.



HYDRAULIC CIRCUIT

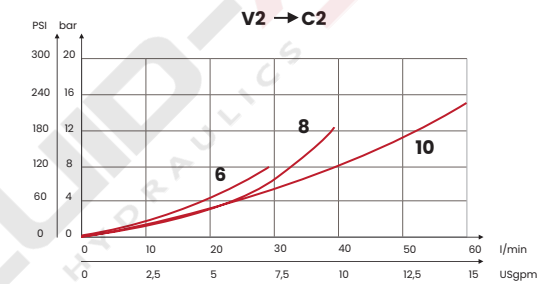
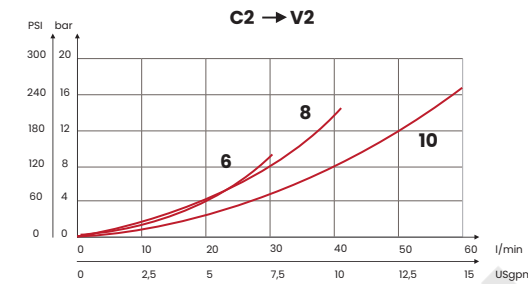


TECHNICAL CHARACTERISTICS

mm [Inches]

	F	H	L	M	P	Q	S	R
SAE6 [9/16-18 UNF]		50 [1,97]	95 [3,74]	81 [3,19]	23 [0,91]	66 [2,60]	43 [1,70]	7 [0,28]
SAE8 [3/4-16 UNF]								
SAE10 [7/8-16 UNF]		60 [2,36]	100 [3,94]	84 [3,31]	21 [0,83]	67,5 [2,66]	50 [1,97]	10 [0,39]
Steel body (on request aluminium body)								

PERFORMANCES



ORDERING CODE

CODE	TYPE	F ports	MAX FLOW l/min [USgpm]	MAX PRESSURE bar [PSI]	STANDARD SETTING bar [PSI]	RANGE SPRING bar [PSI]	INCREASE TO TURN bar [PSI]	PILOT RATIO	WEIGHT kg [lb]
FA1049	BSC1S21	SAE6	30 [7,9]	350 [5075]	210 [3045]	30/210 [435/3045]	80 [1160]	1:4,25 On request 1:8,1	1,15 [2,53]
FA1050	BSC1S35				350 [5075]	60/350 [870/5075]	135 [1960]		
FA1051	BSC2S21	SAE8	40 [10,6]		210 [3045]	30/210 [435/3045]	80 [1160]		1,20 [2,42]
FA1052	BSC2S35				350 [5075]	60/350 [870/5075]	135 [1960]		
FA1053	BSC3S21	SAE10	60 [15,9]		210 [3045]	30/210 [435/3045]	80 [1160]		1,28 [2,84]
FA1054	BSC3S35				350 [5075]	60/350 [870/5075]	135 [1960]		
Standard setting 350 bar [5075 PSI] to 5 l/m [1,32 USgpm]					Standard setting 210 bar [3045 PSI] to 5 l/m [1,32 USgpm]				

UPDATE: March 2023 (v.03)