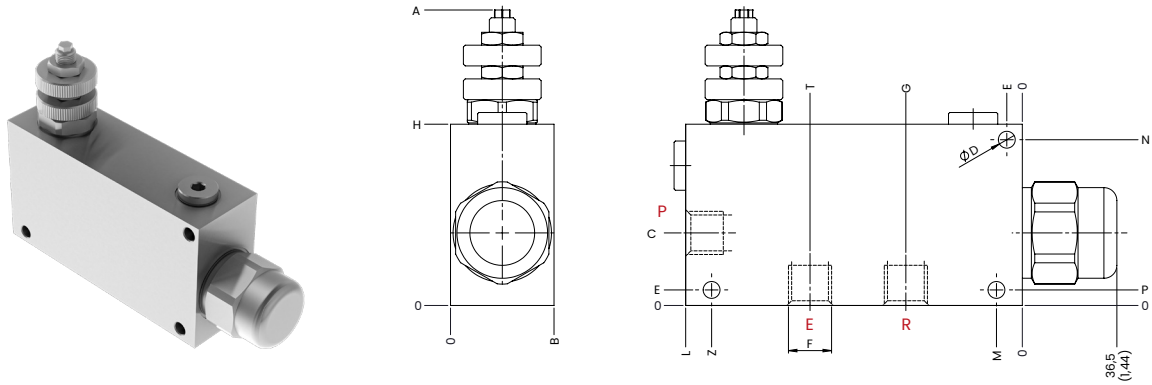


3 WAYS FLOW CONTROL VALVES, PRESSURE COMPENSATED WITH EXCEEDING FLOW TO PRESSURE



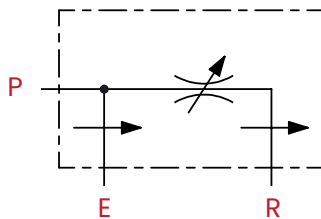
TECHNICAL CHARACTERISTICS

mm [Inches]

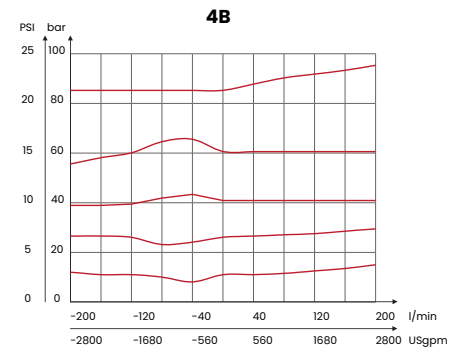
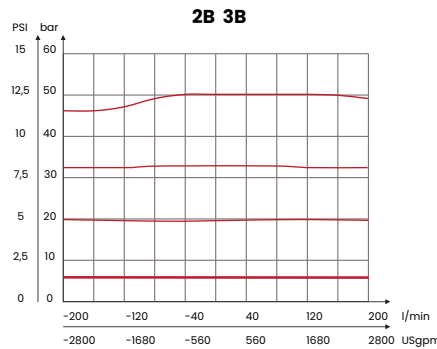
F	B	H	L	ØD	N	E	C	M	G	T	Z	A
3/8 BSPP	40 [1,57]	70 [2,76]	130 [5,12]	6,5 [0,26]	64 [2,54]	6 [0,24]	28 [1,10]	20 [0,79]	45 [1,77]	82 [3,23]	120 [4,72]	117,5 [4,62]
1/2 BSPP												
3/4 BSPP	50 [1,97]	90 [3,54]	155 [6,10]	8,5 [0,33]	82 [3,23]	8 [0,31]	35 [1,38]	/	54 [2,13]	98 [3,86]	143 [5,63]	139,5 [5,49]

Aluminium body

HYDRAULIC CIRCUIT



PERFORMANCES



ORDERING CODE

ORDERING CODE	F	MAX FLOW l/min USgpm	MAX PRESSURE bar PSI	WEIGHT kg lbt
RCP2B	3/8 BSPP	50 l/min con 30 l/min in R [13,3 USgpm with 8 USgpm in R]	210 [3050]	1,3 [2,87]
RCP3B	1/2 BSPP	90 l/min con 50 l/min in R [23,8 USgpm with 13,3 USgpm in R]		1,25 [2,76]
RCP4B	3/4 BSPP	150 l/min con 80 l/min in R [39,6 USgpm with 21,3 USgpm in R]		2,5 [5,51]

Mineral oil: DIN 51524 ISO 6743/4 | Oil viscosity: 15 to 250 cSt 15-250 mm²/s | Oil temperature: -4°F + 176°F -20°C +80°C | Ambient temperature: -4°F + 122°F -20°C +50°C | Max contamination index with filter: 5 to 250 cSt 15-250 mm²/s | It is necessary a filter use to protect the valve (advised filtration 15 µm)