

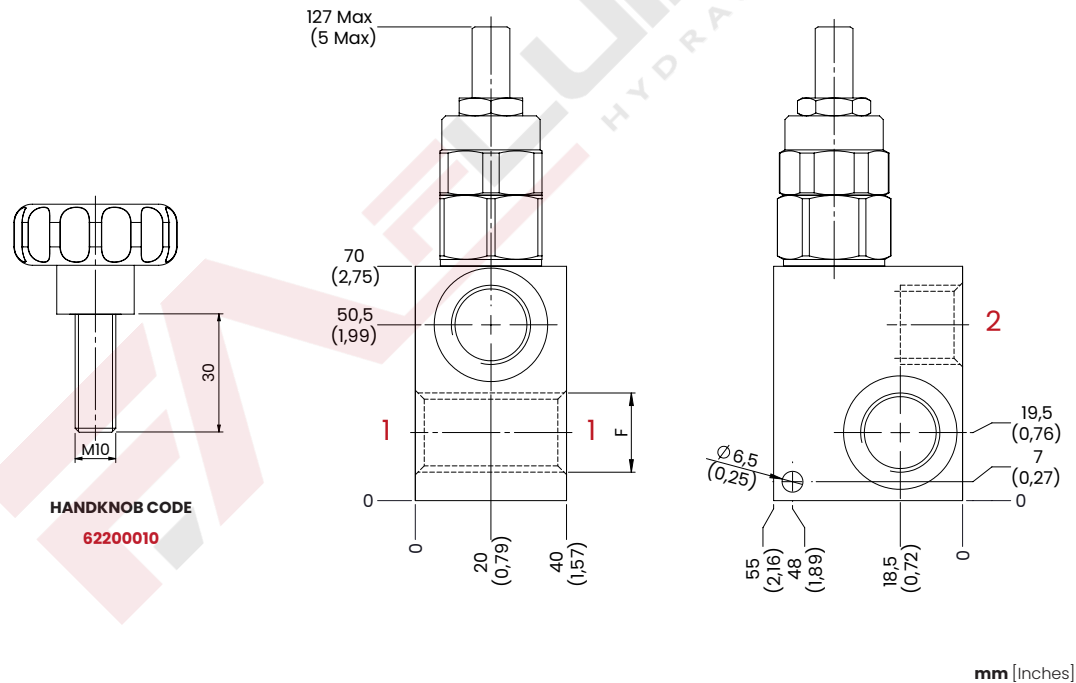
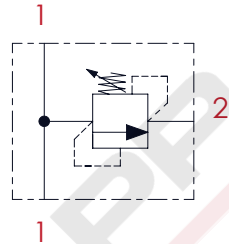
# M80B RELIEF VALVES - 80 l/min BSPP

## RELIEF VALVES 80 l/min

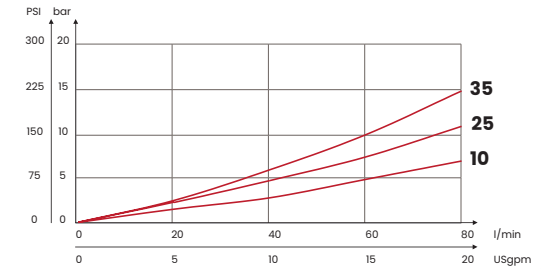
The purpose of the M80 pressure relief valve is to protect the hydraulic system from malfunctions or failures caused by excessively high pressures in the circuit.



### HYDRAULIC CIRCUIT



### PERFORMANCES



### TAMPER PROOF CAP M10



CODE
62200021

### ORDERING CODE

CODE	TYPE	F ports	MAX FLOW l/min [USgpm]	MAX PRESSURE bar [PSI]	RANGE SPRING bar [PSI]	INCREASE TO TURN bar [PSI]	WEIGHT kg [lb]
FA6032	M804BC10	3/4 BSPP	80 [21,1]	350 [5075]	10/100 [145/1450]	16,5 [239]	1 [2,2]
FA6033	M804BC25				20/250 [290/3625]	33 [479]	
FA6034	M804BC35				50/350 [725/5075]	70 [1015]	

Steel body