

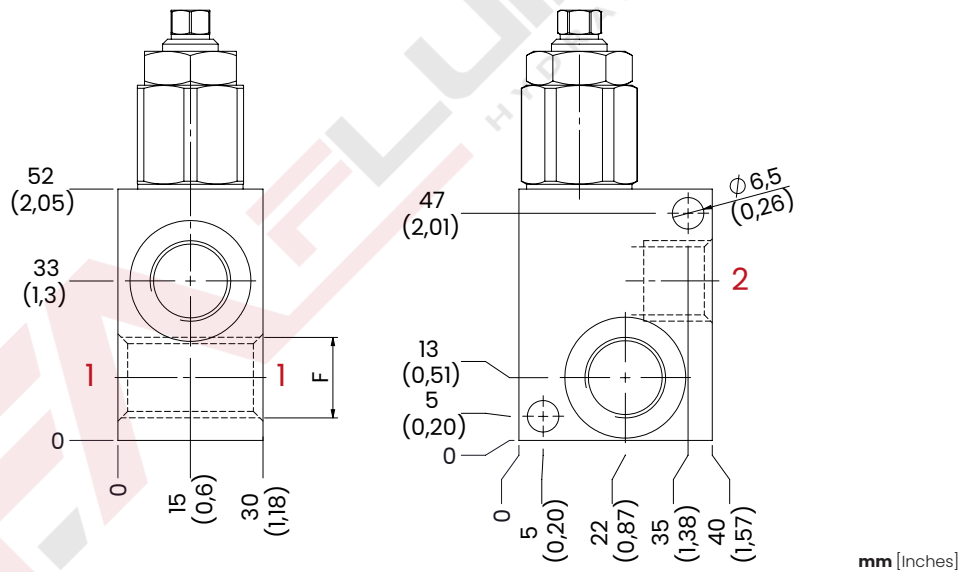
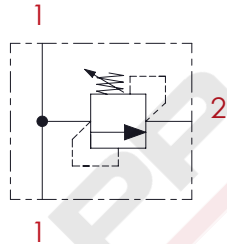
M20B RELIEF VALVES - 30 l/min BSPP

RELIEF VALVES 30 l/min

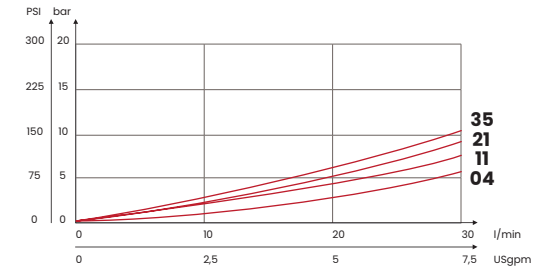
The purpose of the M20B pressure relief valve is to protect the hydraulic system from malfunctions or failures caused by excessively high pressures in the circuit.



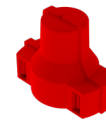
HYDRAULIC CIRCUIT



PERFORMANCES



TAMPER PROOF CAP



CODE
KIT137

ORDERING CODE

CODE	TYPE	F ports	MAX FLOW l/min [USgpm]	MAX PRESSURE bar [PSI]	RANGE SPRING bar [PSI]	INCREASE TO TURN bar [PSI]	WEIGHT kg [lb]
FA6018	M201BC04	1/4 BSPP	20 [5,3]	350 [5075]	10/40 [145/580]	20 [290]	0,47 [1,03]
FA6019	M201BC11				20/110 [290/1595]	40 [580]	
FA6020	M201BC21				30/210 [435/3045]	70 [1015]	
FA6021	M201BC35				40/350 [580/5075]	130 [1885]	
FA6022	M202BC04	3/8 BSPP	30 [8]	350 [5075]	10/40 [145/580]	20 [290]	0,47 [1,03]
FA6023	M202BC11				20/110 [290/1595]	40 [580]	
FA6024	M202BC21				30/210 [435/3045]	70 [1015]	
FA6025	M202BC35				40/350 [580/5075]	130 [1885]	

Steel body