

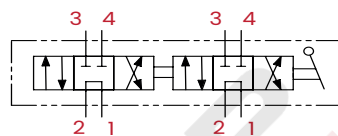
18 FLOW INVERTERS

8 WAYS FLOW INVERTERS

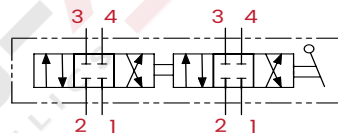
The 8 way cast iron flow diverters are used when it is necessary to reverse the flow of oil.



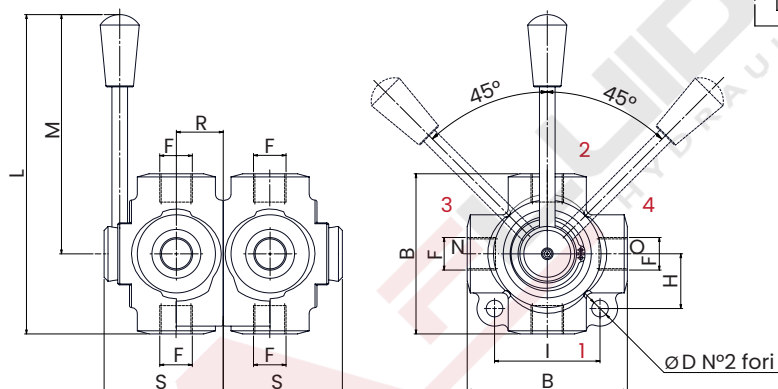
HYDRAULIC CIRCUIT



A (Open center)



C (Closed center)

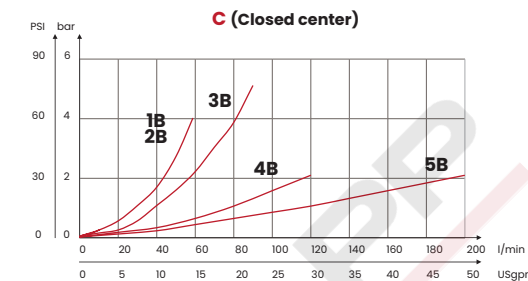
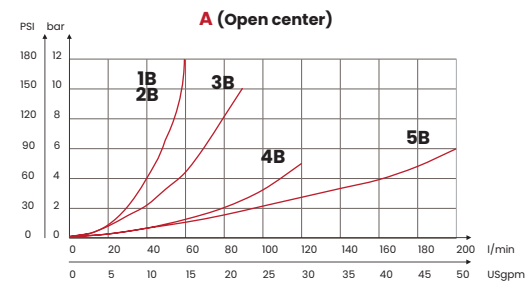


TECHNICAL CHARACTERISTICS

mm [Inches]

F	B	L	ØD	I	M	R	S	H
1/4 BSPP	80 [3,15]	155 [6,10]	8,5 [0,33]	54 [2,13]	115 [4,53]	24 [0,94]	63 [2,48]	28 [1,10]
3/8 BSPP								
1/2 BSPP								
3/4 BSPP	94 [3,70]	162 [6,38]	10,5 [0,41]	74 [2,91]		31 [1,22]	77 [3,03]	38 [1,50]
1 BSPP								

PERFORMANCES



ORDERING CODE

CODE	TYPE	F	MAX FLOW l/min [USgpm]	MAX PRESSURE bar [PSI]	WEIGHT kg [lbt]
FA9070	18A1B	1/4 BSPP	60+60 [15,8+15,8]	350 [5075]	2,3 [4,85]
FA9071	18A2B	3/8 BSPP			
FA9072	18A3B	1/2 BSPP	90+90 [23,8+23,8]		2,1 [4,63]
FA9073	18A4B	3/4 BSPP	120+120 [31,7+31,7]		4,3 [9,48]
FA9074	18A5B	1 BSPP	200+200 [52,8+52,8]		300 [4000]
FA9075	18C1B	1/4 BSPP	60+60 [15,8+15,8]	350 [5075]	2,3 [4,85]
FA9076	18C2B	3/8 BSPP			
FA9077	18C3B	1/2 BSPP	90+90 [23,8+23,8]		2,1 [4,63]
FA9078	18C4B	3/4 BSPP	120+120 [31,7+31,7]		4,3 [9,48]
FA9079	18C5B	1 BSPP	200+200 [52,8+52,8]		300 [4000]

UPDATE August 2022 (v.03)