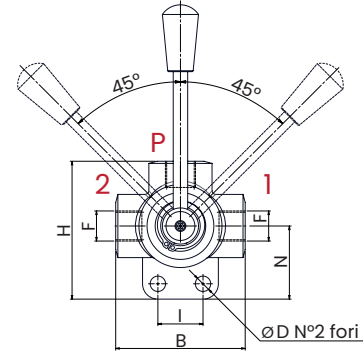
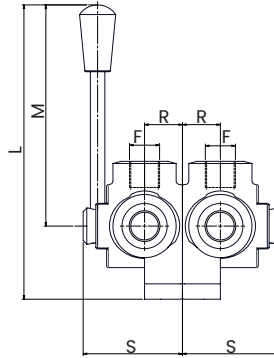


D6 FLOW DIVERTERS

6 WAYS FLOW DIVERTERS

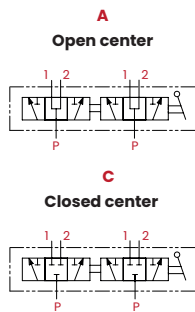


TECHNICAL CHARACTERISTICS

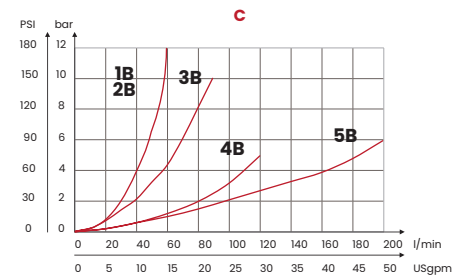
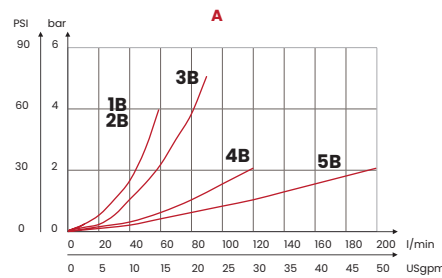
mm [Inches]

F	B	H	L	Ø D	I	M	N	S	R
1/4 BSPP	70 [2,76]	75,5 [2,97]	155,5 [6,12]	8,5 [0,33]	25 [0,98]	115 [4,53]	32 [1,26]	57 [2,24]	21 [0,83]
3/8 BSPP									
1/2 BSPP	80 [3,15]	86 [3,39]	161 [6,34]	10,5 [0,41]	32 [1,26]		36 [1,42]	63 [2,48]	24 [0,94]
3/4 BSPP							42 [1,65]	67 [2,64]	26 [1,02]
1 BSPP	98 [3,86]	110 [4,33]	176,5 [6,95]				50 [1,97]	77 [3,03]	31 [1,22]

HYDRAULIC CIRCUIT



PERFORMANCES



ORDERING CODE

ORDERING CODE	F	MAX FLOW l/min [USgpm]	MAX PRESSURE bar [PSI]	WEIGHT kg [lbt]
D6A1B	1/4 BSPP	60+60 [15,8+15,8]	350 [5075]	1,5 [3,31]
D6A2B	3/8 BSPP			
D6A3B	1/2 BSPP	90+90 [23,8+23,8]		2,3 [5,07]
D6A4B	3/4 BSPP	120+120 [31,7+31,7]		3,5 [7,72]
D6A5B	1 BSPP	200+200 [52,8+52,8]		300 [4000]
D6C1B	1/4 BSPP	60+60 [15,8+15,8]	350 [5075]	1,5 [3,31]
D6C2B	3/8 BSPP			
D6C3B	1/2 BSPP	90+90 [23,8+23,8]		2,3 [5,07]
D6C4B	3/4 BSPP	120+120 [31,7+31,7]		3,5 [7,72]
D6C5B	1 BSPP	200+200 [52,8+52,8]		300 [4000]

Mineral oil: DIN 51524 ISO 6743/4 | Oil viscosity: 15 to 250 cSt 15-250 mm²/s | Oil temperature: -4°F + 176°F -20°C +80°C | Ambient temperature: -4°F + 122°F -20°C +50°C | Max contamination index with filter: 5 to 250 cSt 15-250 mm²/s | It is necessary a filter use to protect the valve (advised filtration 15 µm)

UPDATE: August 2022 (v.03)