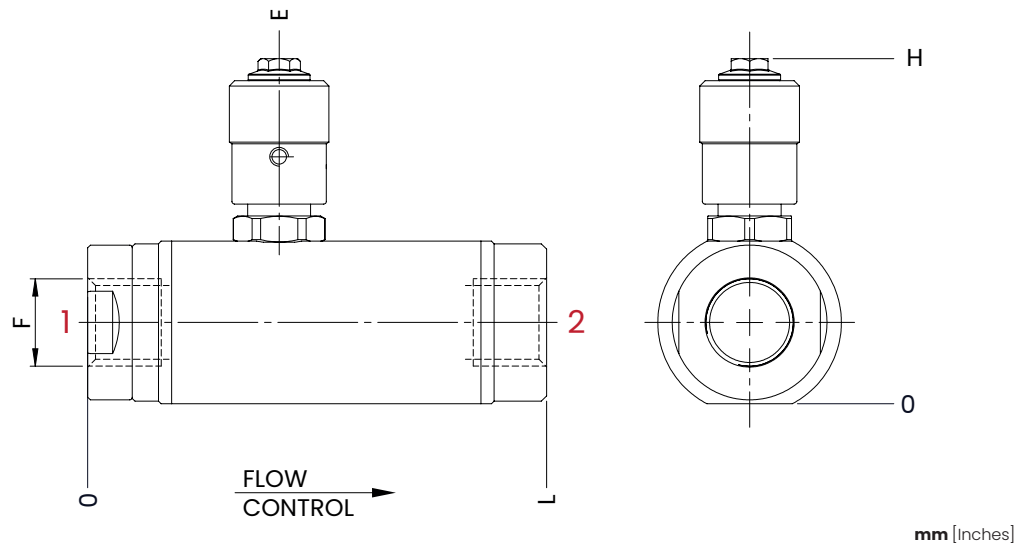
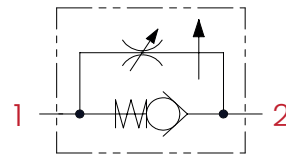


FLOW CONTROL VALVES-PRESSURE COMPENSATED

Compensated flow control valve, allows the free passage of oil in one direction and regulates the flow in the opposite direction. The internal compensation system keeps the actuator speed constant, regardless of the load, and guarantees high adjustment sensitivity.



HYDRAULIC CIRCUIT

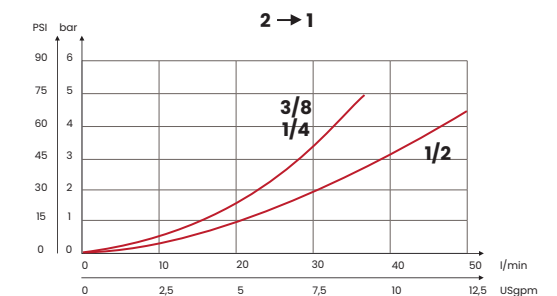
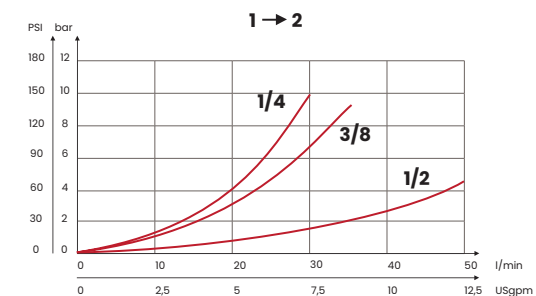


TECHNICAL CHARACTERISTICS

mm [Inches]

F	L	H	E
1/4 BSPP	87,5 [3,44]	66 [2,60]	36,5 [1,44]
3/8 BSPP			
1/2 BSPP	109 [4,31]	73 [2,87]	46 [1,81]
Steel body			

PERFORMANCES



ORDERING CODE

CODE	TYPE	F ports	MAX FLOW l/min [USgpm]	MAX PRESSURE bar [PSI]	WEIGHT kg [lb]
FA4028	CFR1B	1/4 BSPP	25 [6,6]	250 [3625]	0,5 [1,10]
FA4029	CFR2B	3/8 BSPP	30 [7,9]		0,8 [1,76]
FA4030	CFR3B	1/2 BSPP	45 [12]		

UPDATE: March 2023 (v.05)