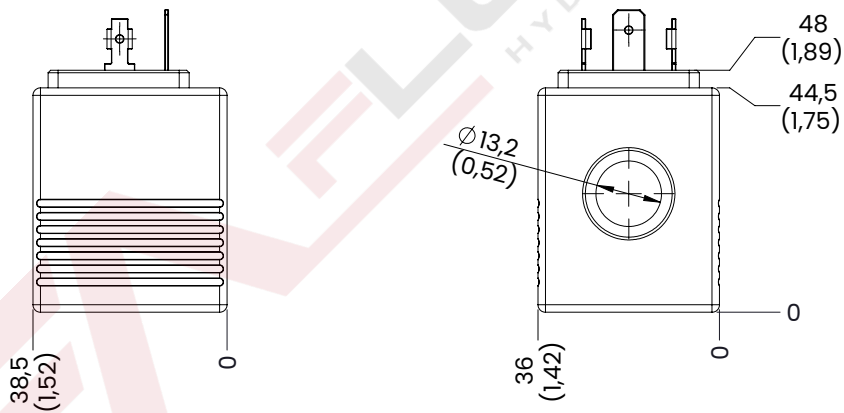
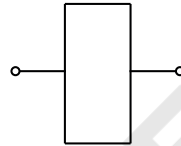


HYDRAULIC CIRCUIT



mm [Inches]

ELECTRIC

mm [Inches]

Protection class with std.connector DIN	INSULATION INDEX	Wire insulation class	NOMINAL VOLTAGE	POWER AT 20C°	ED*
IP 65	H	H	+/- 10%	22W	100% with temperature -20 C° + 40 C°

*For temperature or special conditions contact our sales department

ORDERING CODE

CODE	TYPE	VOLTAGE	RESISTANCE	MATCHING CONNECTOR	ABSORBED POWER	TIGHTENING TORQUE Nm lbt ft	WEIGHT kg lbt
C2212	C2212	12Vdc	6,5 Ω	CNS [DIN 43650]	22 W	2 [1,5]	0,21 [0,46]
C2224	C2224	24Vdc	26,5 Ω				