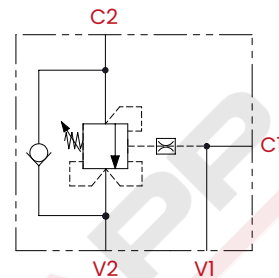


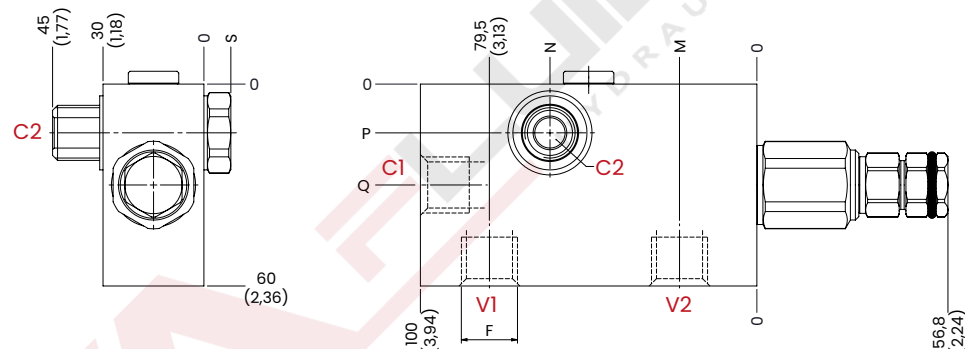
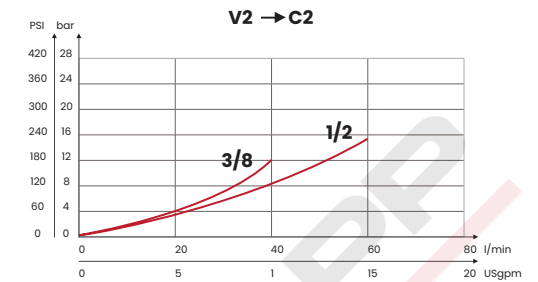
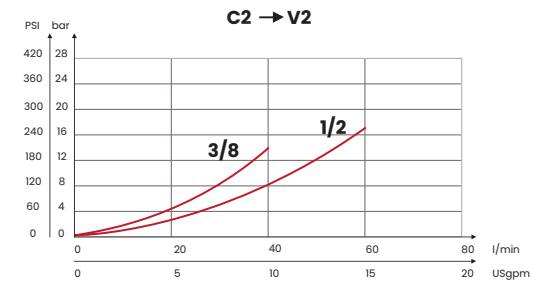
BOLT FITTING SINGLE COUNTERBALANCE VALVES FOR CLOSED CENTER

BSP counterbalance valves (Gas thread) are used to keep a load locked, the built-in relief valve protects the system from overpressure in the cylinder by draining the oil, bolt fitting version.

HYDRAULIC CIRCUIT



PERFORMANCES



TECHNICAL CHARACTERISTICS

F	N	M	P	Q	S
3/8 BSPP	61,5 [2,42]	23 [0,9]	14,5 [0,57]	30 [1,18]	8,5 [0,33]
1/2 BSPP	63,5 [2,5]	21 [0,82]	15 [0,59]	32 [1,26]	10,5 [0,41]

Steel body (on request aluminium body)

ORDERING CODE

CODE	TYPE	F ports	MAX FLOW l/min [USgpm]	STANDARD SETTING bar [PSI]	RANGE SPRING bar [PSI]	INCREASE TO TURN bar [PSI]	PILOT RATIO	MAX PRESSURE bar [PSI]	WEIGHT kg [lb]
FA1075	BSP2B21	3/8 BSPP	40 [10,6]	210 [3045]	30/210 [435/3045]	80 [1160]	1:4,25 On request 1:8,1	350 [5075]	1,39 [3,06]
FA1076	BSP2B35			350 [5075]	60/350 [870/5075]	135 [1960]			
FA1077	BSP3B21	1/2 BSPP	60 [15,9]	210 [3045]	30/210 [435/3045]	80 [1160]			1,36 [3]
FA1078	BSP3B35			350 [5075]	60/350 [870/5075]	135 [1960]			

Standard setting 350 bar [5075 PSI] to 5 l/m [1,32 USgpm] Standard setting 210 bar [3045 PSI] to 5 l/m [1,32 USgpm]

UPDATE May 2023 (v.01)